

Installation Instruction

TV-STAND-FIXM

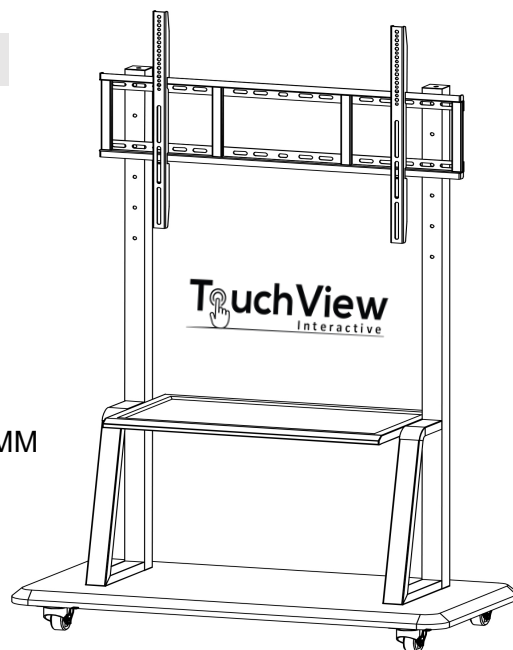
SUPPORT 55" ~98" TV Set

MAX Weight: 200KG

Materials: SPCC, COLD-

ROLLED STEEL SHEET: 2.5MM

THICKNESS



No	Parts /Accessories List	Qty	Remark
1	The Base ①	1 pcs	
2	2.5"Universal Wheel with Brake②	2 sets	
3	2.5" Universal Wheel w/o Brake③	2 sets	
4	The Left Pillar ④	1 pcs	
5	The Right Pillar ⑤	1 pcs	
6	The Tray ⑥	1 pcs	Middle Part
7	The Mount -Horizontal Part ⑦	1 set	Mount Part
8	The Hook - Vertical Part ⑧	2 sets	Mount Part
9	The Combination Bolt with Cross Hexagon M6*16 ⑨	16 pcs	Accessories Part
10	M14 Nut ⑩ (spring washer GB859 +small washer-grade A GB848 +type 1 hexagon nut GB6170)	4 sets	Accessories Part
11	The Combination Screw with Cross Pan Head M6*16 ⑪	4 sets	Accessories Part
12	The Combination Screw with Cross Round Head M5*100 ⑫	2 sets	Accessories Part
13	The Combination Screw with Cross Round Head M5*100 ⑬	4 sets	Accessories Part
14	The Cross Hexagon Bolt M8*70 ⑭	4 sets	Accessories Part
15	M8 Nut ⑮ (spring washer GB859 +small washer-grade A GB848 +type 1 hexagon nut GB6170)	5 sets	Accessories Part
16	The Allen Wrench ⑯	1 pcs	Assembling Tool

